

FEATURES

- Tub capacity 6 with storage capacity of 4 below
- Excellent for building a dipping cabinet
- Sliding glass lids
- Bumper Guard
- Mobility casters for effortless relocation and cleaning
- Easy to clean
- Temperature Range: -18C to -22C / -0.4°F to -7.6°F

CONSTRUCTION

- Cold wall refrigeration
- White exterior with grey and white lid frame
- White aluminum and synthetic interior
- Cabinet walls are 2.75" thick
- ETL approved
- R290 refrigerant

OPTIONAL ACCESSORIES

- CEFHB - Baskets - CEF40 holds 3
- CEF40FG - Glass Food Guard
- CFDW—Dipwell
- CFDW-K - Dipwell Installation Kit
- CFETH - Metal Tub Holder
- CEFNB - Novelty Basket
- CFNBD - Novelty Basket Divider




WARRANTY

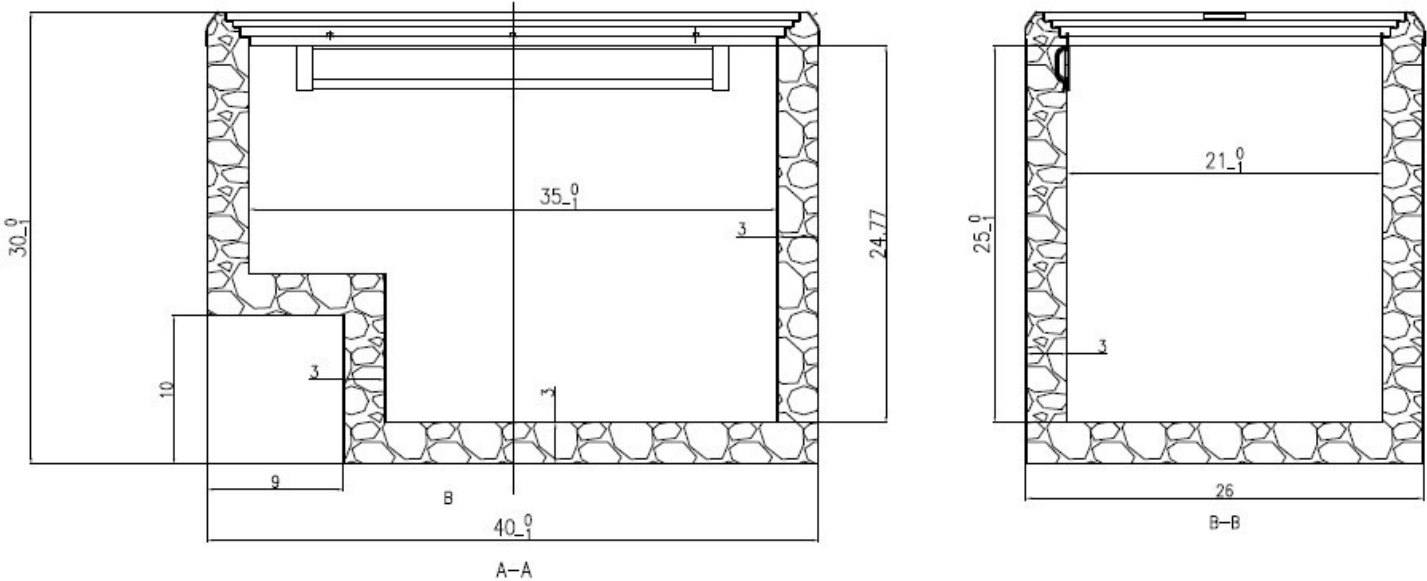
- Compressor 5 years
- Parts & Labor 1 years
(wearable parts and accessories not included)



CEF50 shown with optional food guard

Celcold Essential freezer merchandisers make selling your ice cream easy and profitable. Celcold's reliable refrigeration system keeps your product properly frozen to ensure quality. With mobility casters, these units can be moved effortlessly, allowing you to maximize sales in any retail environment.

Model #	Net Capacity	Width	Depth	Height	Width Internal	Depth Internal	Height Internal	Basket Capacity	Shipping Weight
CEF40	8.4 cu. ft. 238 litres	41" 1035 mm	27" 675 mm	33" 830 mm	35" 890 mm	20.9" 530 mm	25" 635 mm	3	121 lbs 55 kg
Refrigerant	Power	Current	Voltage	Phase	Hertz	Plug	Circuit	Certification	
R290	1/5 hp	2.3 A	110 V	Single	60	Nema 5-15 	Dedicated circuit required	 	



Optional Accessories

CEF40FG Food Guard

- Excellent for building a dipping cabinet
- Glass



CFDW Dipwell

- Stainless steel construction
- Santoprene rubber bumper
- 1" drain and overflow tube included
- Holds 4 - 6 scoops
- Water inlet included
- Easy to clean
- The CFDW-K installation kit is ordered separately



CFDW-K Dipwell Installation Kit

1. Coupling nut
2. Tail piece
3. Leather gasket
4. Barrel valve
5. Male connector
6. Ferrule
7. Plastic tubing
8. Saddle valve
9. Saddle valve and accoutrement



** MOUNTING PLATE FOR DIPPING WELL SHOULD BE INSTALLED ABOVE THE FROSTLINE **

CEFHB Hanging Basket

- Excellent for building a dipping cabinet
- Powder coated basket holds 2 tubs
- Easy to clean



The CEF40 holds 3 CEFHB baskets. Each basket holds 2 tubs of ice cream.



CEFNB with CEFNBD Novelties Basket



- Easy to clean
- Wire basket for novelties
- Dividers available

CEFTH Metal Tub Holder



- Easy to clean
- Holds 2 tubs



	Application	Height With Handle	Height Without Handle	Width	Deep
CEFHB	2 Ice Cream Tubs	15.5"	9.25"	11"	22"
CEFNB	Novelties Basket	11"	7.5"	9.5"	22"
CEFTH	Metal Tub Holder	6"	1"	10.25"	22"