

* Remote condenser shown with optional guard

Features

- Lightweight construction and an aluminum coil help reduce weight by nearly 20% compared to previous models.
- Condenser fits through a standard 30" x 36" roof hatch for ease of installation.
- Easy assembly and installation with innovative legs.
- More efficient motor reduces energy usage by 25% - 50%.
- Environmentally responsible – all remote condensers use R404A, an approved non-ozone depleting refrigerant.
- Constructed from sturdy, corrosion-resistant galvanized steel.
- Reduces air conditioning requirements and cost.
- Fan is located outside, ensuring quiet operation for customers.

Required Accessories

Model Number	Description	Shipping Weight lbs (kg)
RT-325-4O4	25 ft (7.6 m) Precharged Tubing Kit for R4O4A Models	13 (6)
RT-34O-4O4	40 ft (12.0 m) Precharged Tubing Kit for R4O4A Models	18 (8)
RT-375-4O4	75 ft (22.9 m) Precharged Tubing Kit for R4O4A Models	36 (16)
GRILL1O	Optional Grill Guard Kit for RCA-1O01, RCA-1O61, RGAO5O1-HM and RGA1O61-HM	8 (3.6)
GRILL2O	Optional Grill Guard Kit for RCA-2O61 and RCA-3561	12 (5.4)
GRILL3O	Optional Grill Guard Kit for RCA-3O61	10 (4.5)

Specifications

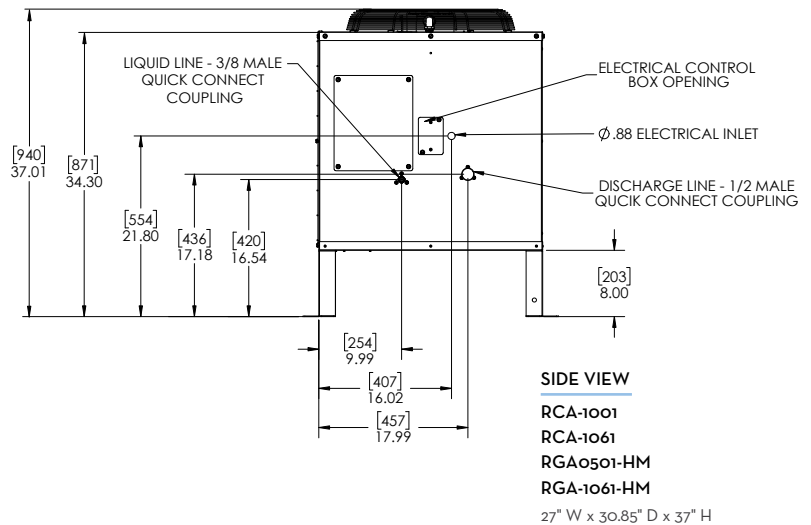
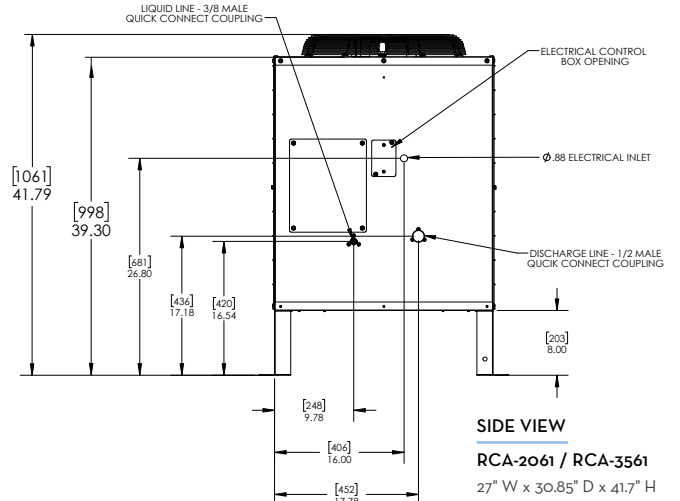
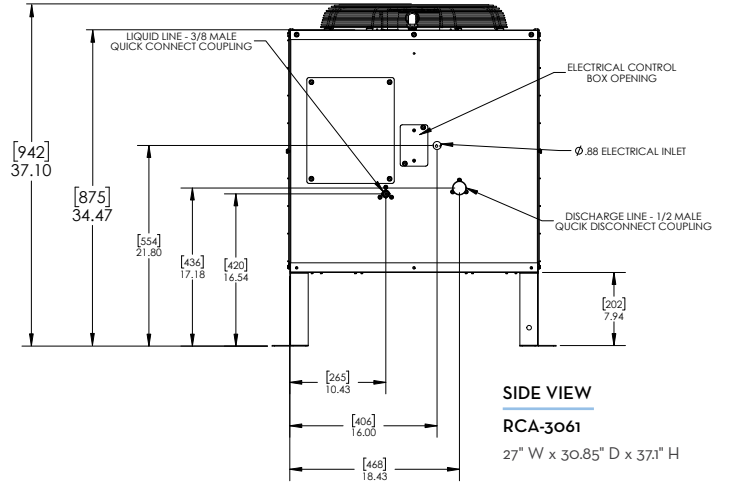
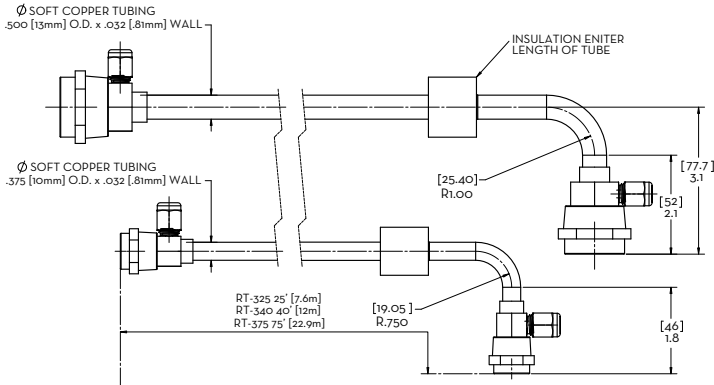
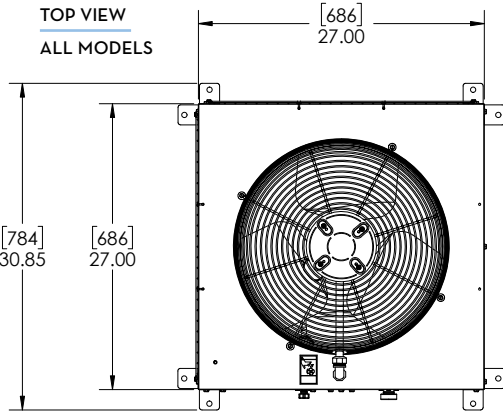
Model Number	Description	Voltage Characteristics	Fan Watts	Shipping Weight lbs (kg)	*Circuit Breaker	
RCA1O01	Remote Condenser for model CIMO53OR	115/6O/1	93.2	97 (44)	15 amps	
RCA1O61	Remote Condenser for model CIMO636R					
RCA2O61	Remote Condenser for models CIMO825R, CIMO826R, CIMO835R, CIMO836R, CIM1125R, CIM1126R, CIM1135R, CIM1136R, CIM1137R, , GEM2O06R, MFI23O6R	2O8-23O/5O-6O/1		111 (5O)	15 amps	
RCA3O61	Remote Condenser for models CIM1446R, CIM1545R, CIM1845R, ICE15O6R			119 (54)		
RCA3561	Remote Condenser for models CIM2O46R			115 (52)		
RGAO5O1-HM	Remote Condenser for models GEMO65OR, MFIO8OOR	115/6O/1			97 (44)	15 amps
RGA1O61-HM	Remote Condenser for models GEMO956R, GEM13O6R, MFI15O6R, MFI1256R	2O8-23O/5O-6O/1				

* If on separate circuit from ice machine head.



Operating Requirements

MINIMUM		
Remote Condenser Temp.	-20°F (-29°C)	120°F (50°C)



NOTES:
Number of Wires: 3 (including ground)
Refrigerant Type: R404A